

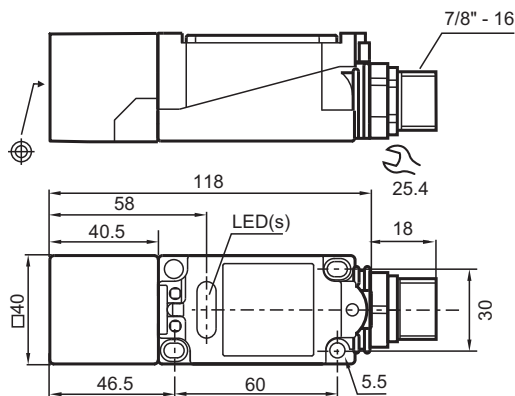


## Inductive sensor NJ15+U4+W-BHMS3-N.O.

- 2-wire AC
- Surface mount
- Sensing range 15 mm



### Dimensions



### Technical Data

#### General specifications

Switching function		Normally open (NO)
Output type		Two-wire
Rated operating distance	$s_n$	15 mm
Installation		non-flush
Output polarity		AC
Assured operating distance	$s_a$	0 ... 12.15 mm

Release date: 2020-12-10 Date of issue: 2020-12-10 Filename: 088944\_eng.pdf

Refer to "General Notes Relating to Pepperl+Fuchs Product Information".

Pepperl+Fuchs Group  
www.pepperl-fuchs.com

USA: +1 330 486 0001  
fa-info@us.pepperl-fuchs.com

Germany: +49 621 776 1111  
fa-info@de.pepperl-fuchs.com

Singapore: +65 6779 9091  
fa-info@sg.pepperl-fuchs.com

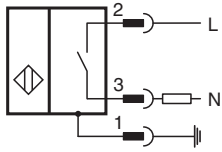
**PF** PEPPERL+FUCHS

## Technical Data

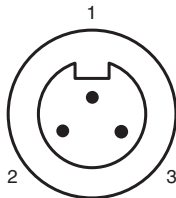
Reduction factor $r_{Al}$		0.35
Reduction factor $r_{Cu}$		0.35
Reduction factor $r_{304}$		0.8
Output type		2-wire
<b>Nominal ratings</b>		
Operating voltage	$U_B$	20 ... 253 V <sup>1)</sup>
Switching frequency	$f$	0 ... 20 Hz
Hysteresis	$H$	1 ... 10 typ. 5 %
Voltage drop	$U_d$	≤ 12 V
Voltage drop at $I_L$		
Voltage drop $I_L = 10$ mA, switching element on	$U_d$	6 ... 11 V typ. 9 V
Voltage drop $I_L = 20$ mA, switching element on	$U_d$	5 ... 9.5 V typ. 8 V
Voltage drop $I_L = 50$ mA, switching element on	$U_d$	4 ... 7.5 V typ. 6.8 V
Voltage drop $I_L = 100$ mA, switching element on	$U_d$	4 ... 7 V typ. 6.5 V
Voltage drop $I_L = 200$ mA, switching element on	$U_d$	4 ... 7 V typ. 6.5 V
Voltage drop $I_L = 200$ mA, $T_U = 23^\circ$ C, switching element on	$U_d$	4 ... 7 V typ. 6 V
Voltage drop $I_L = 500$ mA, switching element on	$U_d$	4 ... 7 V typ. 6 V
Momentary current (20 ms, 0.1 Hz)		0 ... 3000 mA
Operating current	$I_L$	8 ... 500 mA
Off-state current	$I_r$	0.5 ... 1.95 mA typ. 1.2 mA
Off-state current $U_B$ 24 V, switching element off	$I_r$	0.5 ... 1.7 mA typ. 1.2 $\mu$ A
Time delay before availability	$t_v$	≤ 70 ms
Operating voltage indicator		LED, green
Switching state indicator		LED, yellow
<b>Compliance with standards and directives</b>		
Standard conformity		
Standards		EN 60947-5-2:2007 IEC 60947-5-2:2007
<b>Approvals and certificates</b>		
UL approval		cULus Listed, General Purpose
CSA approval		cCSAus Listed, General Purpose
CCC approval		Certified by China Compulsory Certification (CCC)
<b>Ambient conditions</b>		
Ambient temperature		-25 ... 70 °C (-13 ... 158 °F)
Storage temperature		-25 ... 85 °C (-13 ... 185 °F)
<b>Mechanical specifications</b>		
Connection type		Quick disconnect type BHMS3
Housing material		PBT
Sensing face		PBT
Housing base		metal
Degree of protection		IP68
Note		<sup>1)</sup> In the temperature range below 0 °C, permissible operating voltage $U_b$ 80...253 V

Release date: 2020-12-10 Date of issue: 2020-12-10 Filename: 088944\_eng.pdf

## Connection



## Connection Assignment



Wire colors

1		GN	(green)
2		BK	(black)
3		WH	(white)